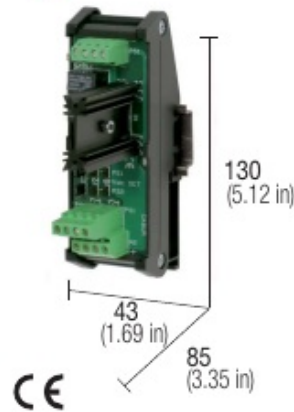


Accessory for power supplies redundant parallel connections

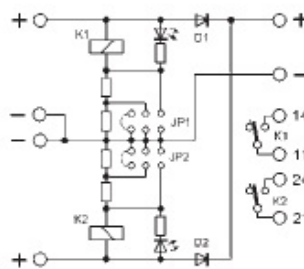
- Suitable for power supplies without Oring diodes
- Compact dimensions
- Three selectable voltages 12, 24 and 48 Vdc
- 2 status/relays contacts
- Power supplied status LED



NOTES

The depth dimension includes the terminal blocks and the DIN rail clamp.

BLOCK DIAGRAM



APPLICATIONS

This module allows the customer to connect in redundant parallel two power supplies not provided with built in Oring diodes (output decoupling diodes); a jumper bridge allows to select 12, 15, 24 or 48 Vdc operating voltage; each channel is provided with status indication led, status relay and contact for remote failure alarm.

VERSIONS

Cod. XCSBD

CSBD

GENERAL TECHNICAL DATA

Power supply rated voltage
Power supply rated current
Load rated voltage
Load max current
IN/OUT drop voltage
Protections
Alarm signal
Operating temperature range
Reference Standards
Overvoltage category/Pollution degree
Protection degree
Connection terminal
Housing material
Approx. weight
Mounting information

12–24–48 Vdc selectable

15 A, max 30 A

12–24–48 Vdc selectable

15 A

0.7 V @ 15 A

—

2 contacts NA 2A @ 230 Vac

–20...+50°C

IEC 664-1, DIN VDE

II / 2

IP 00 IEC 529, EN60529

2.5 mm² fixed screw type

UL94V-0 plastic material

120 g (4.23 oz)

vertical on rail, adjacent

MOUNTING ACCESSORIES

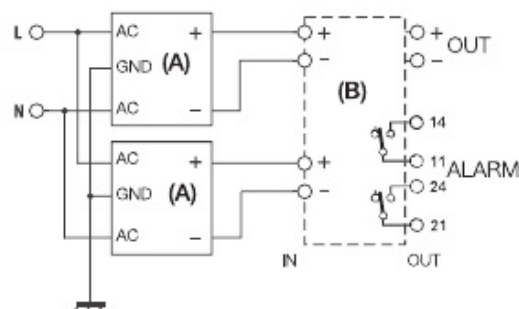
Mounting rail type according to IEC60715/TH35-7.5

Mounting rail type according to IEC60715/G32

PR/3/AC, PR/3/AC/ZB, PR/3/AS, PR/3/AS/ZB

PR/DIN/AC, PR/DIN/AS, PR/DIN/AL

Block diagram



(A) Power supply

(B) CSBD