

Midwest Electric Products, Inc.

A/C Combination Disconnect



QUALITY WEATHERPROOF
ELECTRICAL EQUIPMENT

powers the great outdoors

Single-Phase A/C Combination 60 AMP Fusible & Non-Fusible



Model Numbers:

U065P010 Pull-out with 15 AMP GFCI receptacle

U065NA1010 Non- automatic switch with 15 AMP GFCI receptacle

U065F010 Fused with 15 AMP GFCI receptacle

U065NA1010



Application Information:

Midwest's combination A/C disconnects were designed to satisfy code requirements for use as an A/C unit and outdoor GFCI receptacle. This meets code change requiring an in-use weatherproof cover for an outdoor GFCI receptacle.

As a result, cost savings for both builder and electrical contractor are realized. Builders eliminate one GFCI receptacle cutout, which impacts framing and outside finishing crews. Electrical contractors save time and money when wiring to a single location.

A single unit now replaces the A/C disconnect, and separate GFCI receptacle under one in-use weatherproof cover. Our compact, yet functional design will be aesthetically pleasing to the homeowner. Our unit is easy to wire and cost effective to install.

Features and Benefits:

- 120/240 Volt AC, Single phase, NEMA 3R rated
- Available with pullout, non-auto switch and fuse
- UL & CUL Listed 
- New UL  approved 15 AMP GFCI receptacle included
- Meets NEC#210.63 & #406.8 (B) (1)
- Compact size 5" X 7" X 4"
- Heavy galvanized "G90" steel with highest quality electro-deposition finish resists corrosion and fading
- Covered under one of the following US patents:
RE34113, 52772297, 6337447, 4959514.Cov



U065P010

Front Cover Models:

Left- U0653P010

Top Middle- U065NA1010

Right- U065P010

— Three-Phase A/C Combination — 30 & 60 AMP Fusible & 60 AMP Non-Fusible



U0653P010

Model Numbers:



U0353F010	30A Fused with 20A GFCI Receptacle
U0653F010	60A Fused with 20A GFCI Receptacle
U0653P010	60A Pull-out with 20A GFCI Receptacle

Application Information:

Midwest's three-phase A/C disconnects can be an acceptable alternative to safety switches for commercial applications. With the inclusion of the GFCI receptacle, the advantages over safety switches are even greater! Similar to our single-phase units, these units provide a cost-effective wiring solution when you factor in the cost of the code required GFCI receptacle.

Without our 3 Phase A/C combination unit, it would require additional materials to be purchased by the contractor (box, GFCI receptacle, weatherproof cover, miscellaneous nipples, connectors & conduit) to wire the separate 20 AMP receptacle. The "all-in-one" design offers material and labor savings to the contractor, which can be substantial for rooftop applications.

Features and Benefits:

- 120/240 Volt AC, Three-phase, NEMA 3R rated
- Available in fused and pull-out models
- UL & CUL Listed 
- New UL  approved 20 AMP 125V GFCI receptacle included in all three-phase models
- Compact size 6-1/2" X 14" X 5-1/4"
- Heavy galvanized "G90" steel with highest quality electro-deposition finish resists corrosion and fading.

Technical Information:

2005 NEC Code References

Article 210.52 (E) Branch Circuits Outdoors Outlets

For a one-family dwelling and each unit of a two family dwelling that is at grade level, at least one receptacle outlet accessible at grade level and not more than 2.0m (6.5') above grade shall be installed at the front and back of dwelling.

Article 210.63 Heating, Air-Conditioning, and Refrigeration Equipment Outlet

A 125 Volt, single phase, 15- or 20 AMP rated receptacle outlet shall be installed at an accessible location for the servicing of heating, air conditioning...receptacles shall be located on the same level and within 7.5M (25') of the heating, air conditioning equipment...

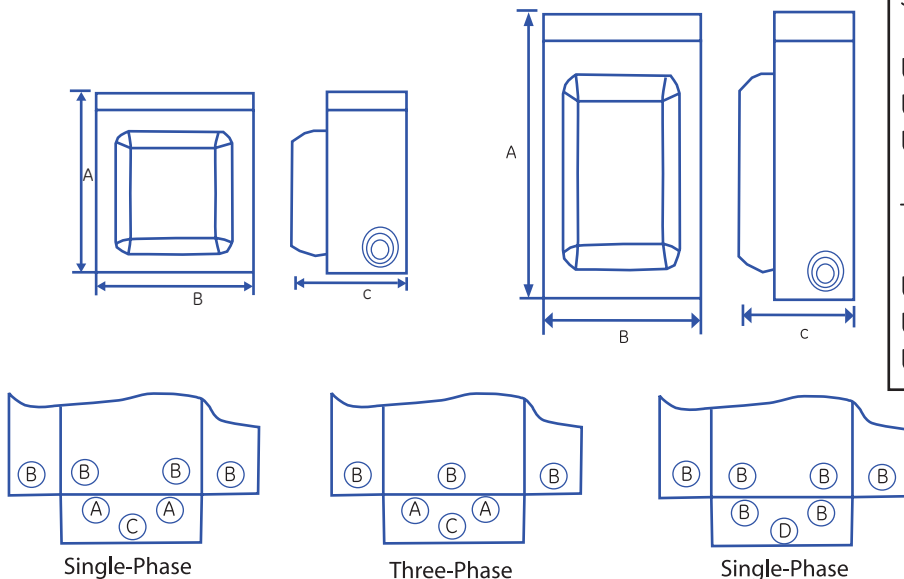
Article 406.8 Receptacles in Wet Locations (B) (1) Wet locations

15- and 20-ampere, 125- and 250 Volt receptacles installed outdoors...shall have an enclosure that is weatherproof whether or not the attachment plug cap is inserted.

Article 440 Air-Conditioning and Refrigeration Equipment. 440.14 Location

Disconnecting means shall be located within sight from and readily accessible from the air conditioning or refrigeration equipment. The disconnecting means shall be permitted to install on or within the air-conditioning or refrigeration equipment.

Dimensions and Knockouts:



Single Phase:			
	A	B	C
U065P010	7-1/8"	5-3/4"	5-3/16"
U065NA1010	7-1/8"	5-3/4"	5-3/16"
U065F010	9"	6-1/8"	5-3/16"
Three Phase:			
U035F010	14"	6-1/2"	5-1/4"
U0653F010	14"	6-1/2"	5-1/4"
U0653P010	14"	6-1/2"	5-1/4"

A = 1/2", 3/4"
 B = 1/2", 3/4", 1"
 C = 1/2", 3/4", 1", 1-1/4"
 D = 1/2", 3/4", 1-1/4", 1-1/2"



Midwest Electric Products, Inc.
 P.O. Box 910
 Mankato, MN 56001

Phone: (507) 345-2505
 Fax: (507) 345-2530
www.midwestelectric.com

(MEPB-ACGF06)

powers the great outdoors